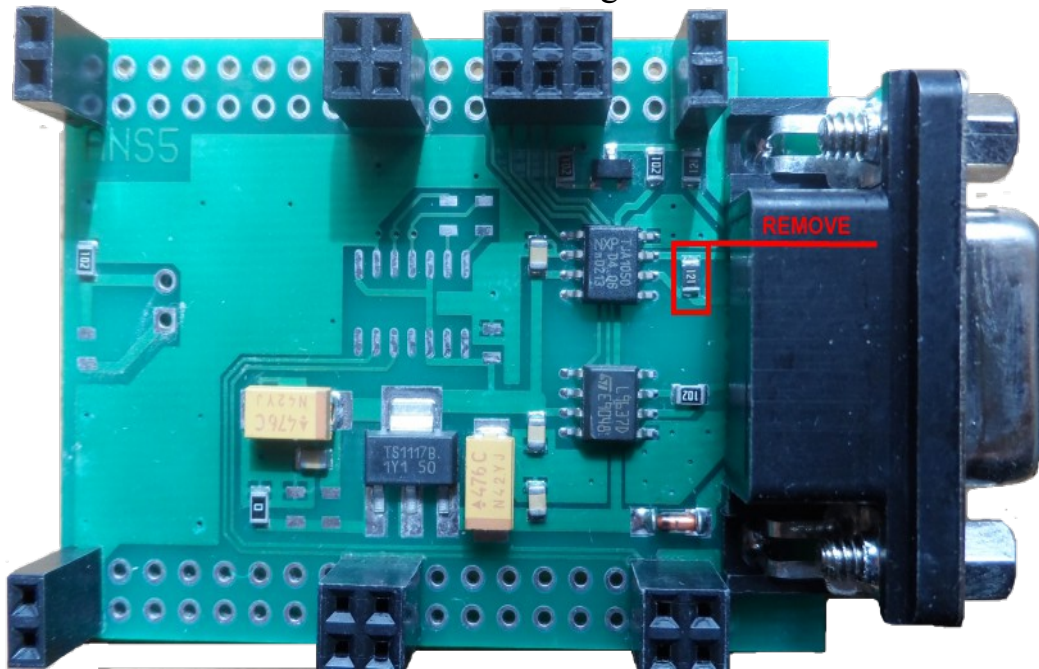


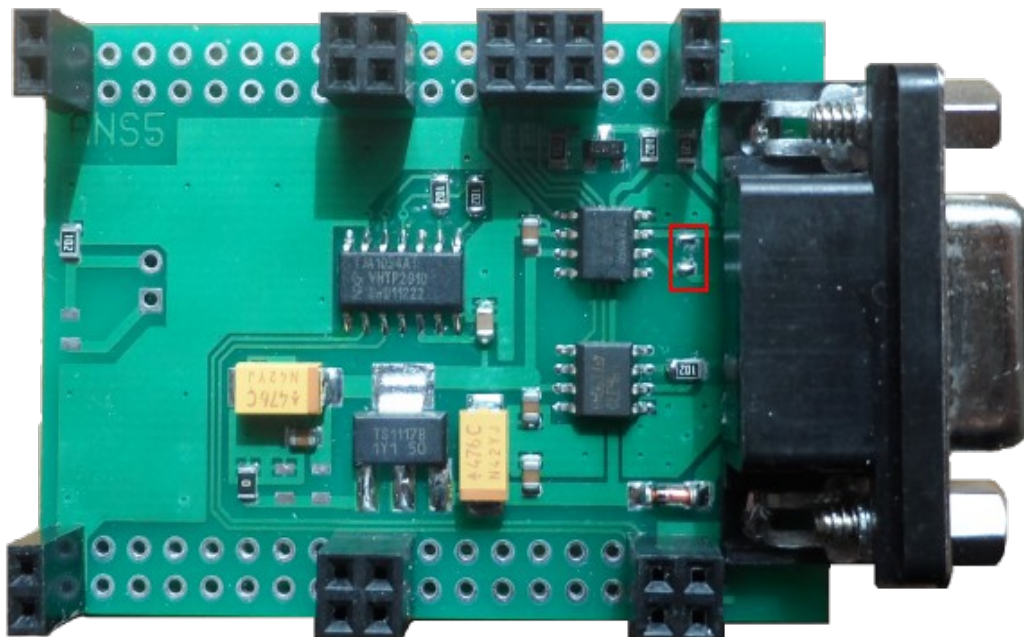
I/O TERMINAL MODIFICATION INSTRUCTION

STEP1.
Remove CAN 120 Ohm resistor.

Pic1 : Before removing resistor



Pic2 : Resistor removed

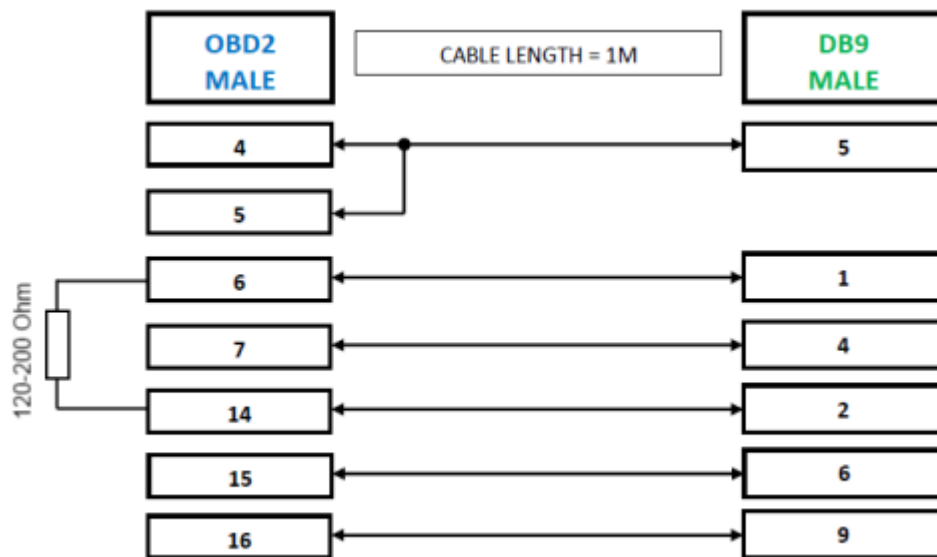


STEP2. Make DB9-OBD16 Cables

Pic1 : Connectors



Pic2 : CABLE FOR ENGINE ECUS



Pic3 : CABLE FOR FIAT BSI

