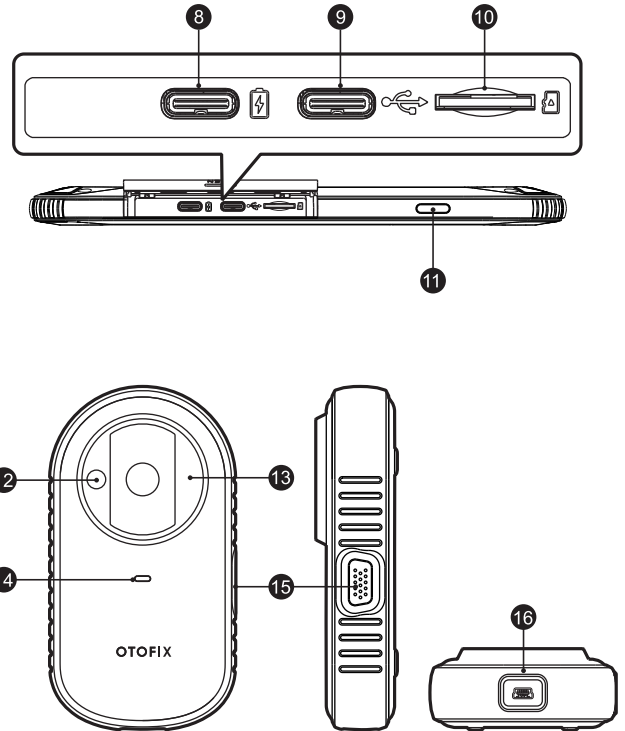
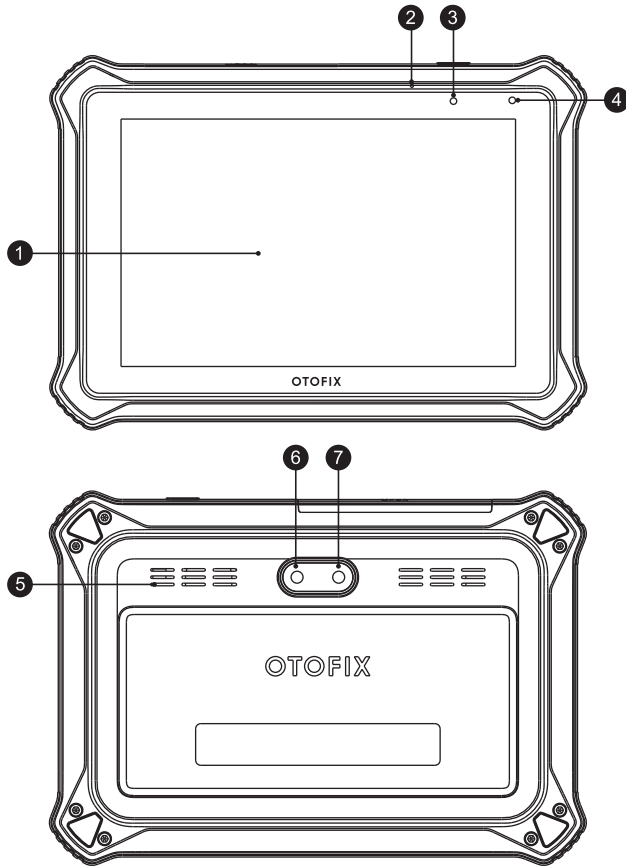


Thank you for purchasing OTOFIX key programming tool. This tool is manufactured to a high standard and will provide years of trouble-free performance when used in accordance to these instructions and properly maintained.

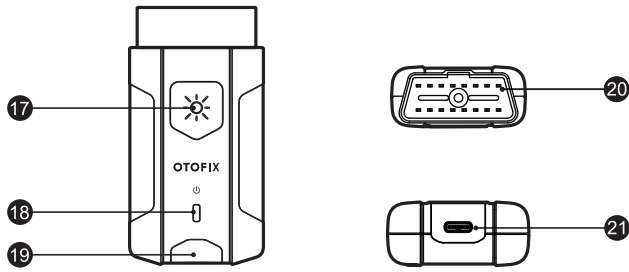


OTOFIX IM1

1. 7-inch Touchscreen
2. Microphone
3. Power LED
4. Ambient Light Sensor
5. Loudspeaker
6. Camera
7. Camera Flash

OTOFIX XP1

12. Vehicle Key Chip Slot — holds the vehicle key chip.
13. Vehicle Key Slot — holds the vehicle key.
14. Status LED Light — indicates the current operating status.
15. DB15-Pin Port — connects EEPROM Adapter and EEPROM Clamp Integrated MC9S12 Cable.
16. Mini USB Port — provides data communication and power supply.



OTOFIX V1

- 17. Flashlight Power Button
- 18. Power LED
- 19. Vehicle/Connection LED
- 20. Vehicle Data Connector (16-pin)
- 21. USB Port

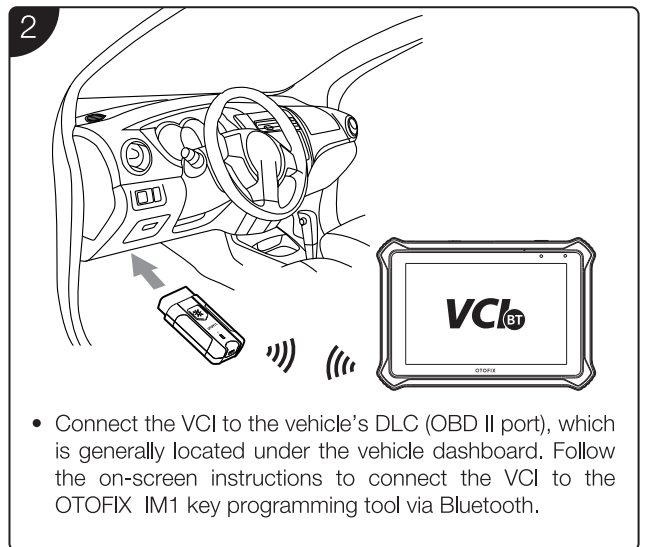
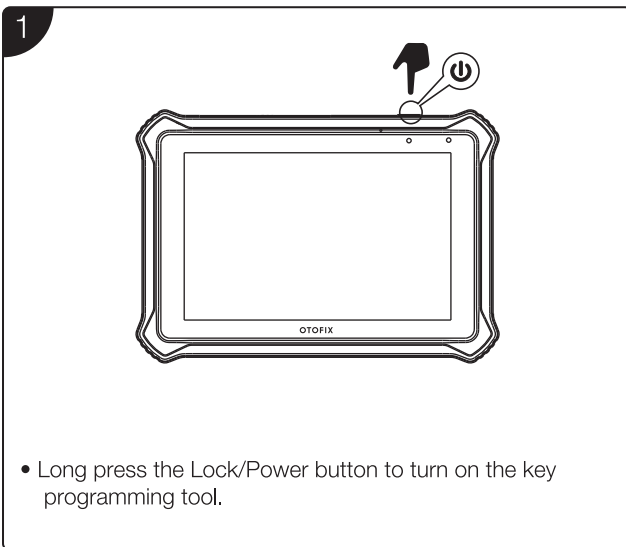
OTOFIX V1 Description

LED	Color	Description
Power LED	Yellow	VCI is powered on and performing self-check.
	Green	VCI is ready for use.
	Flashing Red	Firmware is updating.
Vehicle/Connection LED	Green	<ul style="list-style-type: none"> • Solid Green: VCI is connected via USB cable. • Flashing Green: VCI is communicating via USB cable.
	Blue	<ul style="list-style-type: none"> • Solid Blue: VCI is connected via Bluetooth. • Flashing Blue: VCI is communicating via Bluetooth.

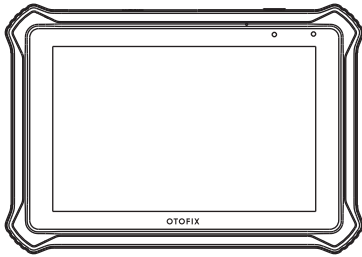
Getting Started



IMPORTANT: Before operating or maintaining this unit, please read this Quick Reference Guide and the User Manual carefully, pay extra attention to the safety warnings and precautions. Use this unit correctly and properly. Failure to do so may cause damage and/or personal injury and will void the product warranty.



3

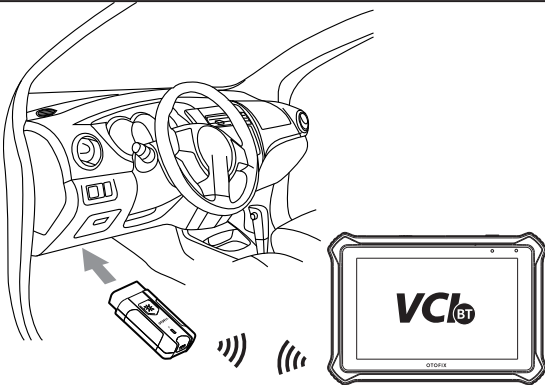


- Software Update: ensure the tablet is connected to the Internet and tap **Update** on the home screen to view all the available updates.

Immobilizer Function

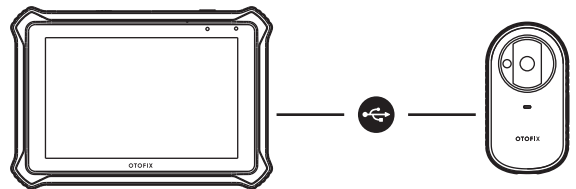
This function requires a connection between the vehicle, the OTOFIX IM1 key programming tool and the XP1.

1



- Connect the vehicle and the key programming tool via Bluetooth or USB cable.

2



- Connect the key programming tool and the XP1 with the supplied USB cable.
- Select the **Immobilizer** function on the main menu, and follow the onscreen instructions to continue.

Programming Function

This function requires a connection between the OTOFIX IM1 key programming tool and the XP1.