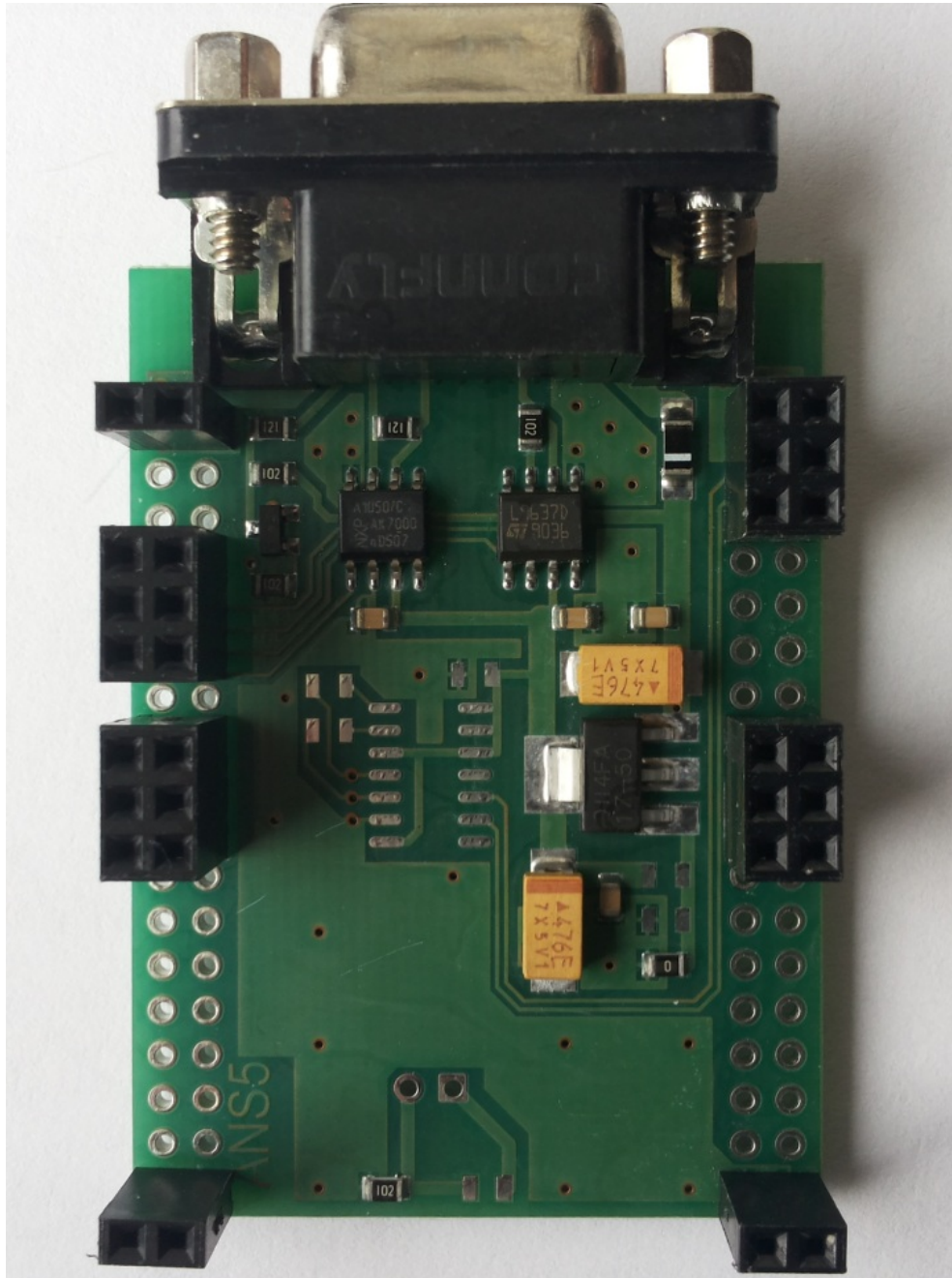


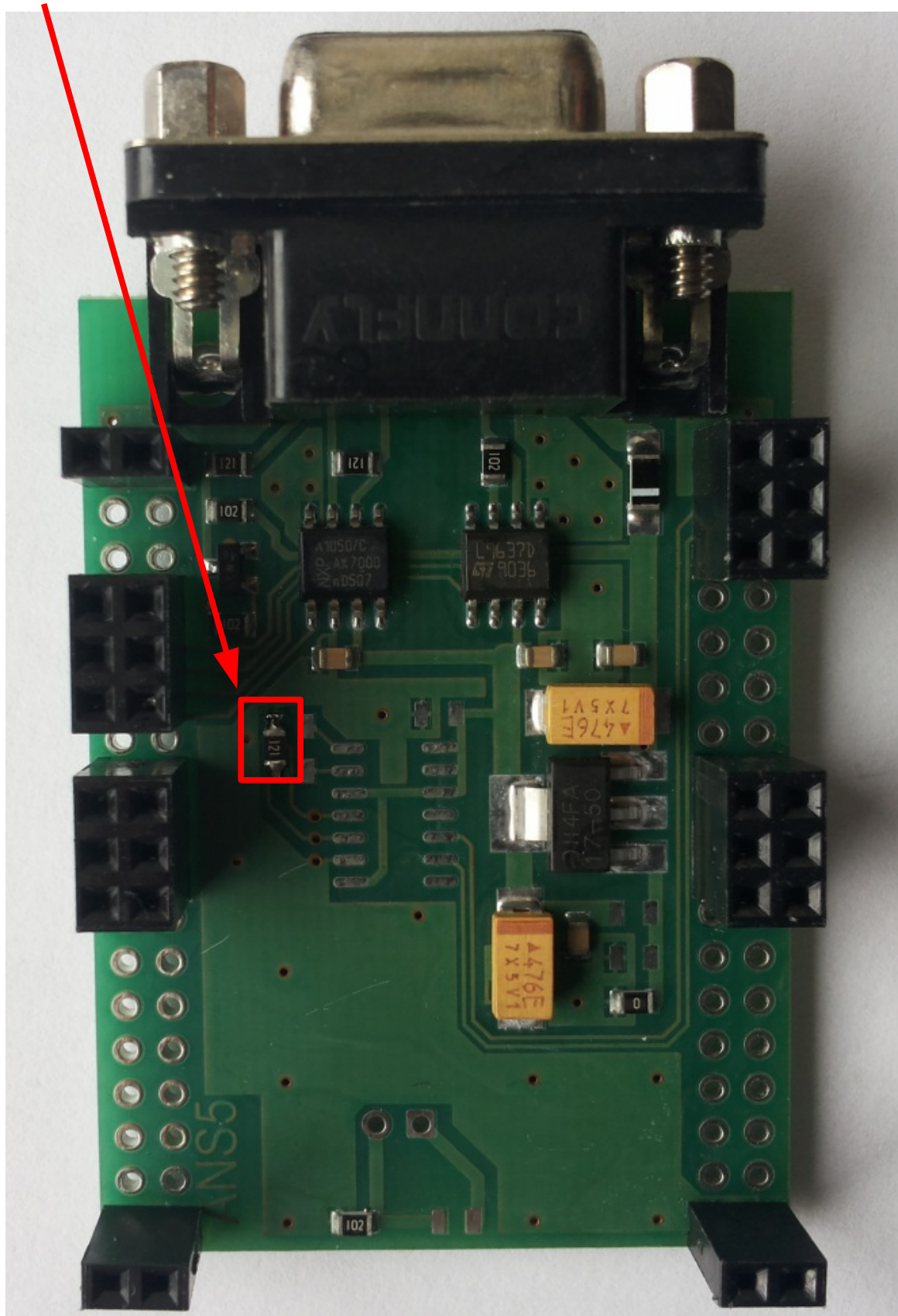
I/O TERMINAL MODIFICATION MANUAL 2

This manual shows how to add second TJA1050 CAN transceiver to I/O TERMINAL.

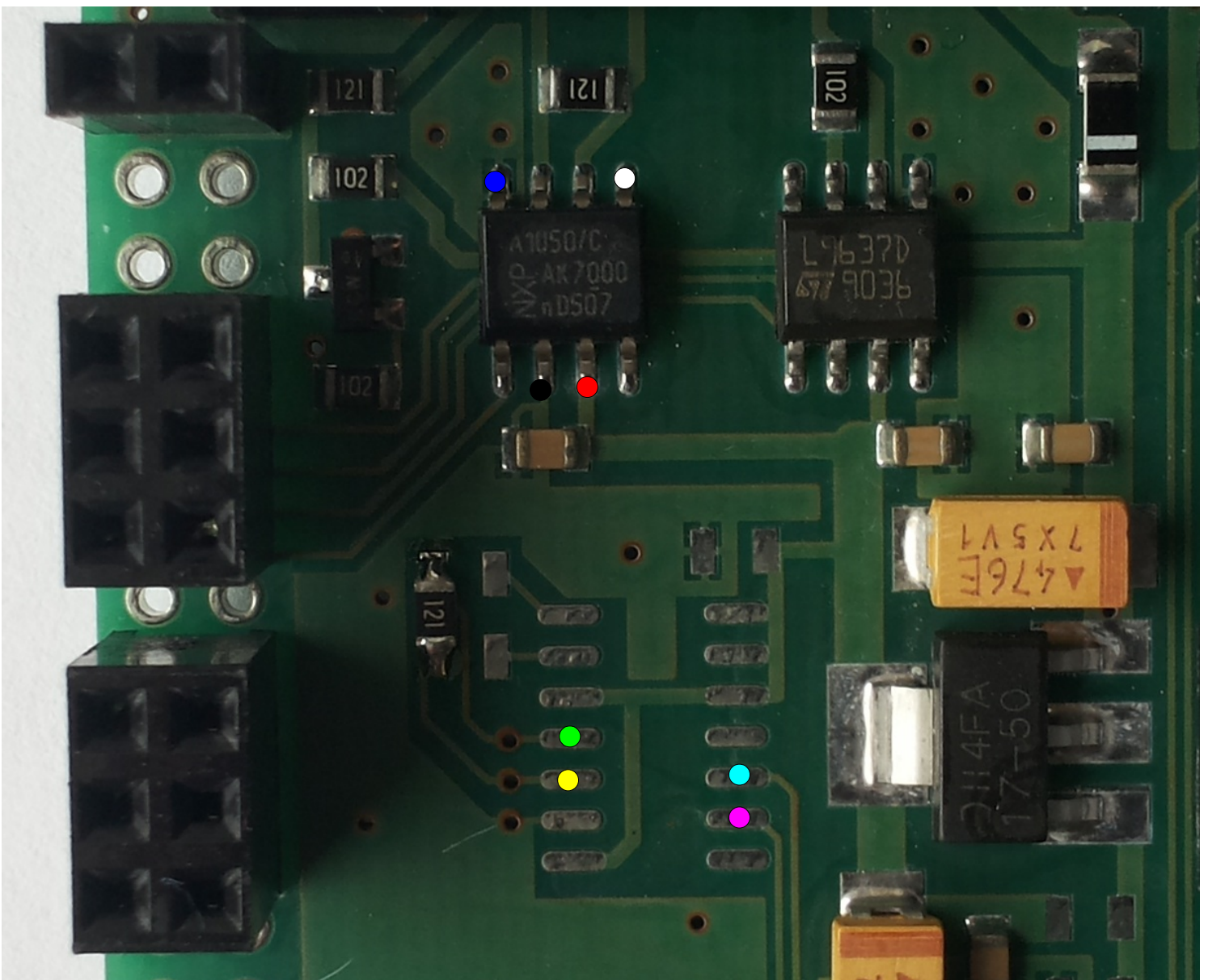
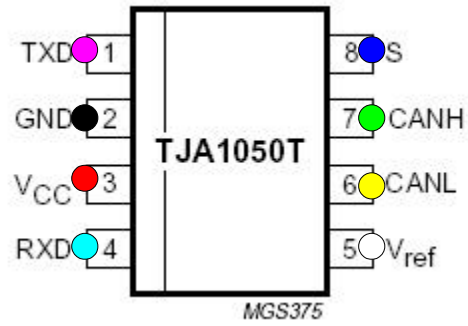
PCB before modification



Solder 120 ohm resistor



Solder second TJA1050 transceiver



Add 2 wires to original I/O TERMINAL CABLE

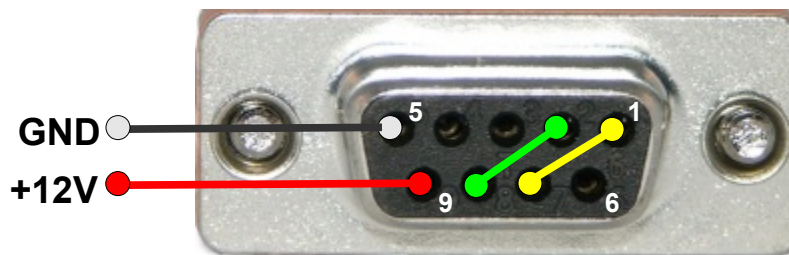
DB9-pin 7 ---> OBD-pin 3 (CANH)

DB9-pin 8 ---> OBD-pin 11 (CANL)

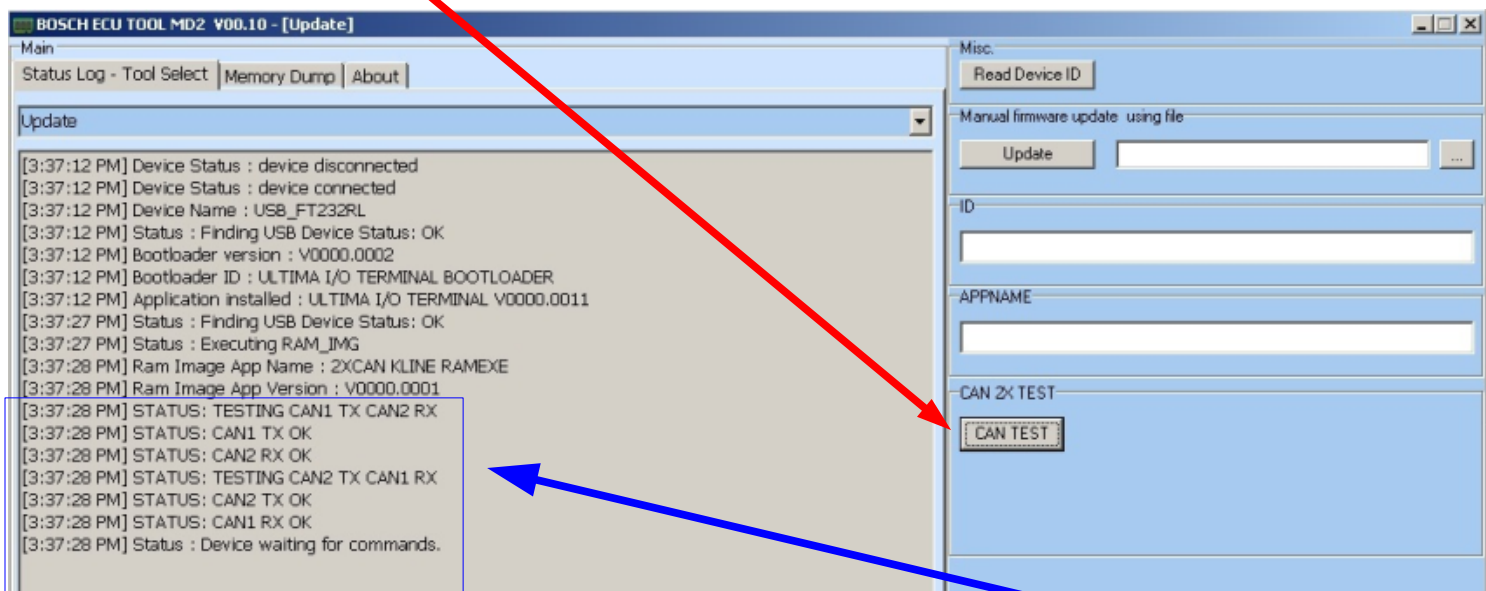
CAN TESTING

Test can be done without SIMCARD in I/O TERMINAL.

1. Connect I/O TERMINAL DB9 connector pins as shown.



2. Using Bosch ECU Tool v10 software or later push CAN TEST button. In LOG WINDOW u will see status.



If all ok u will see same messages showed here.